

NEW Merco Hot Air and Duke IRHS PHUs

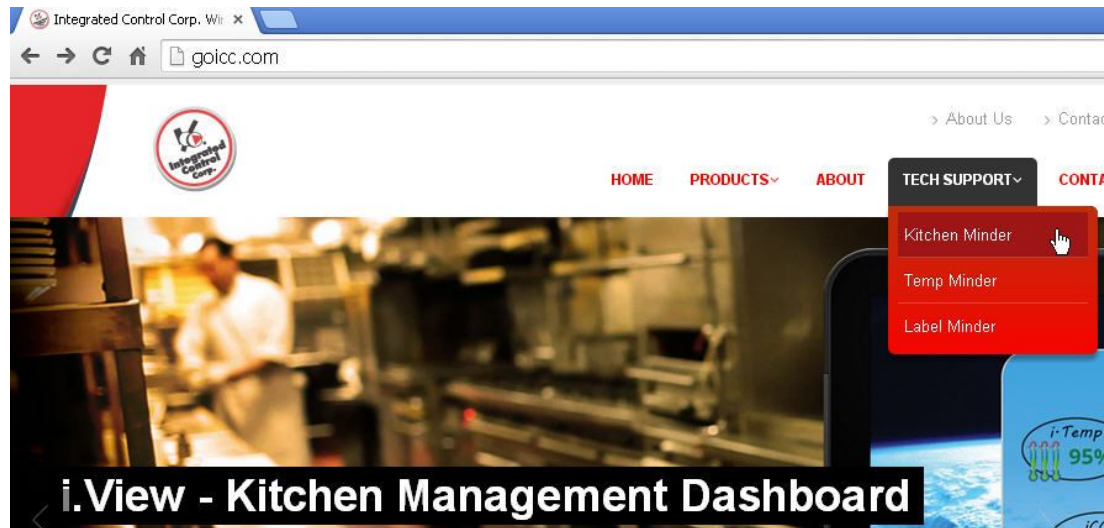
- Temperature Pass-Thru via PCMinder/Kitchen Minder version 6.0
- Timer Bars
- Primary & Secondary PHU configurations
- Connecting Phase1 Duke PHU's to new Merco Hot Air & Duke IRHS PHU's



NEW Merco and Duke PHUs

PCMinder/Kitchen Minder v6.0 Upgrade

- There is a cost to upgrade from v5.0 to v 6.0
- To upgrade go to www.goicc.com, Click on Tech Support, Kitchen Minder, Upgrades, your Country Flag, scroll down to the 6.0 section for instructions
- Cost of the upgrade: \$199 per restaurant for QES subscribers
\$345 for the upgrade plus 3 years QES subscription



NEW Merco and Duke PHUs

Timer Bars

- Timer bar displays alternate between the product name and the remaining hold time

Merco PHU's are fitted with ICC Alpha/Numeric Timer Bars.

For PHU heating and Timer Bar Support call your local authorized Merco Service Agent.

Duke IRHS PHU's are fitted with Duke Timer Bars.

For PHU heating and Timer Bar Support call your local authorized Duke Service Agent.

Merco



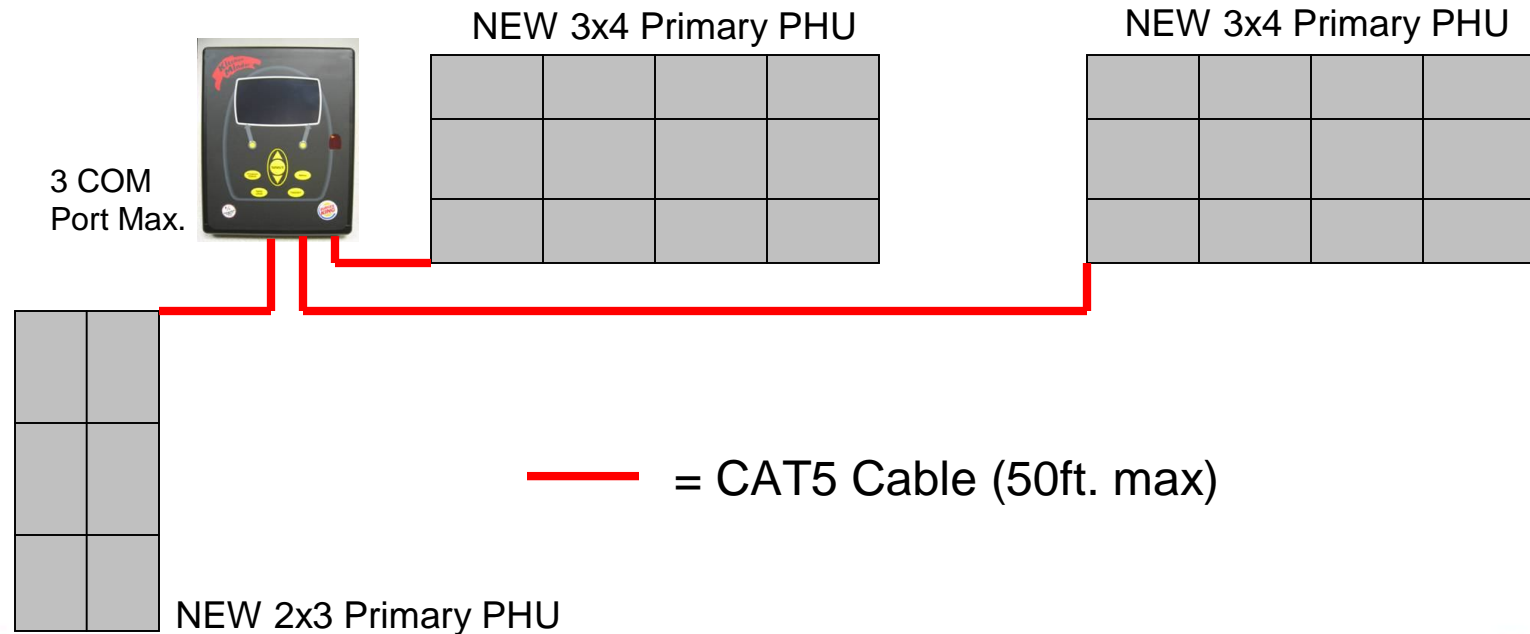
Duke



NEW Merco and Duke PHUs

Primary & Secondary PHU configurations

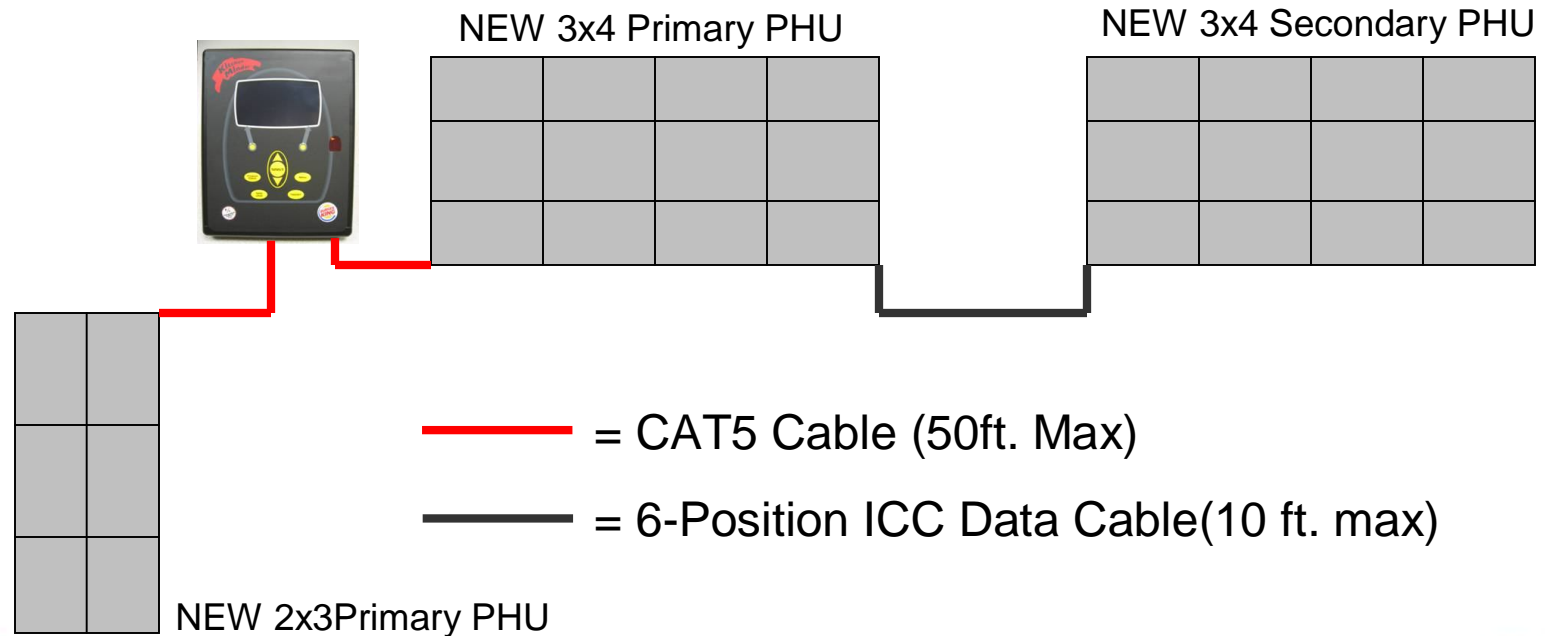
Connecting 3 Primary PHU's to the Kitchen Minder



NEW Merco and Duke PHUs

Primary & Secondary PHU configurations

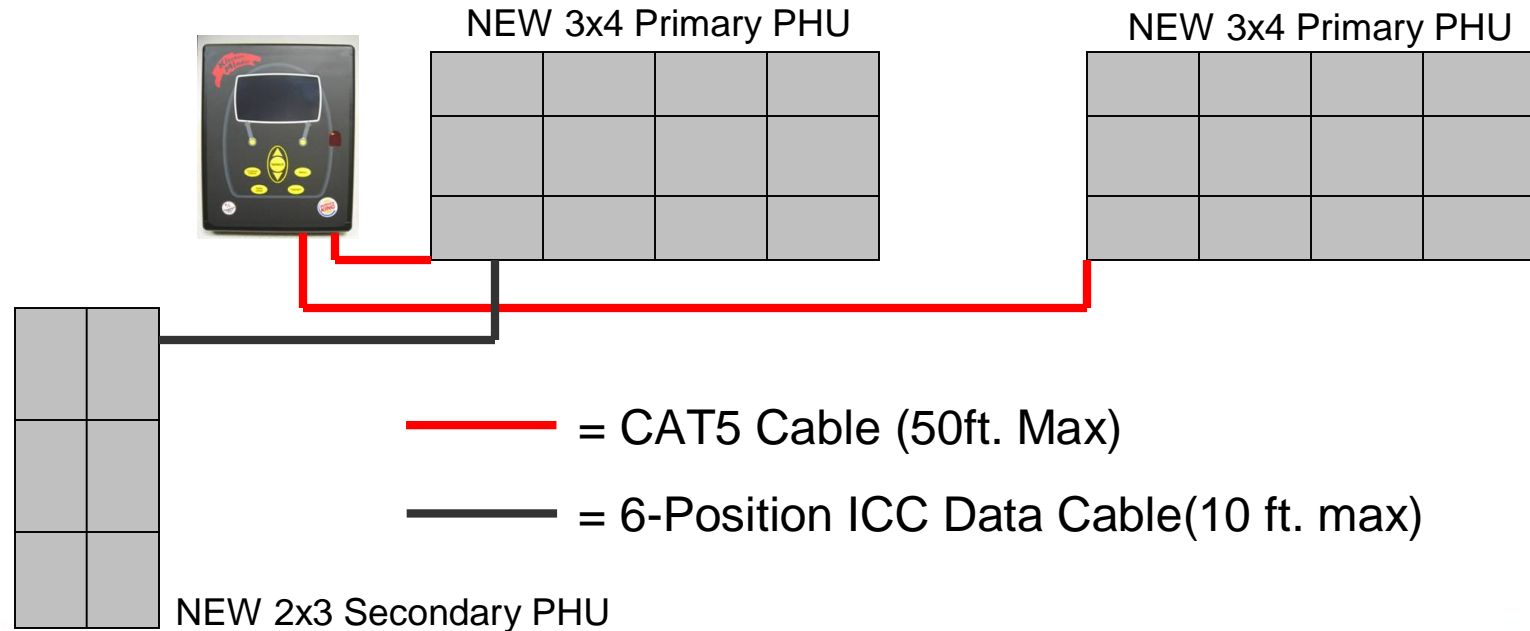
Connecting a 2x3 and 3x4 Primary PHU to the Kitchen Minder and 3x4 Secondary PHU to the 3x4 Primary PHU



NEW Merco and Duke PHUs

Primary & Secondary PHU configurations

Connecting 2 3x4 Primary PHU's to the Kitchen Minder and a 2x3 Secondary PHU to the 3x4 Primary PHU

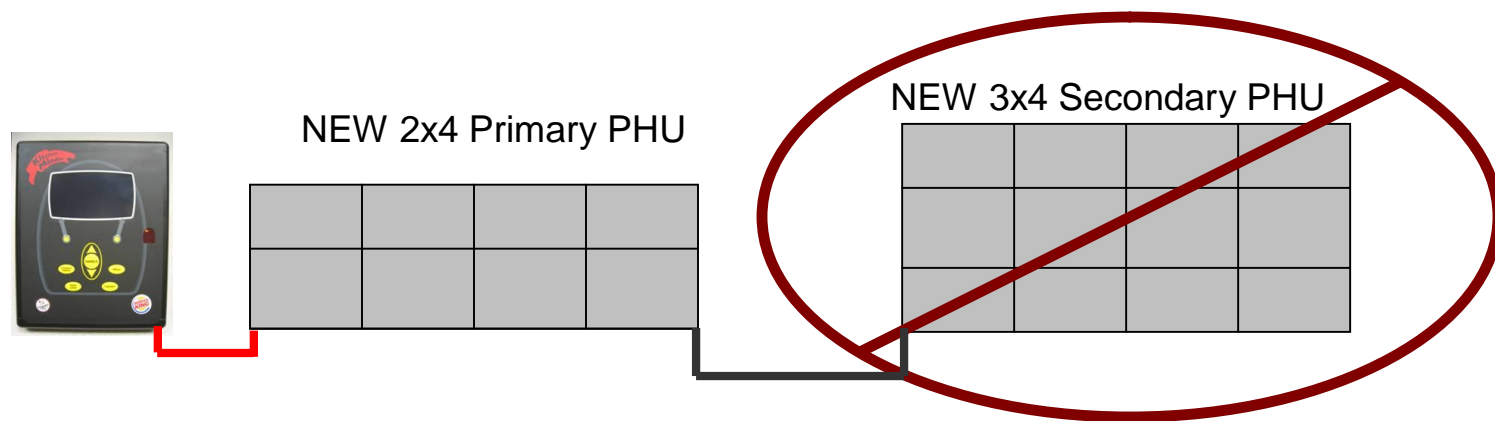


NEW Merco and Duke PHUs

- Primary & Secondary PHU configurations

A 3x4 Secondary PHU cannot be connected to a 2x4 Primary PHU

...only to a 3x4 Primary PHU



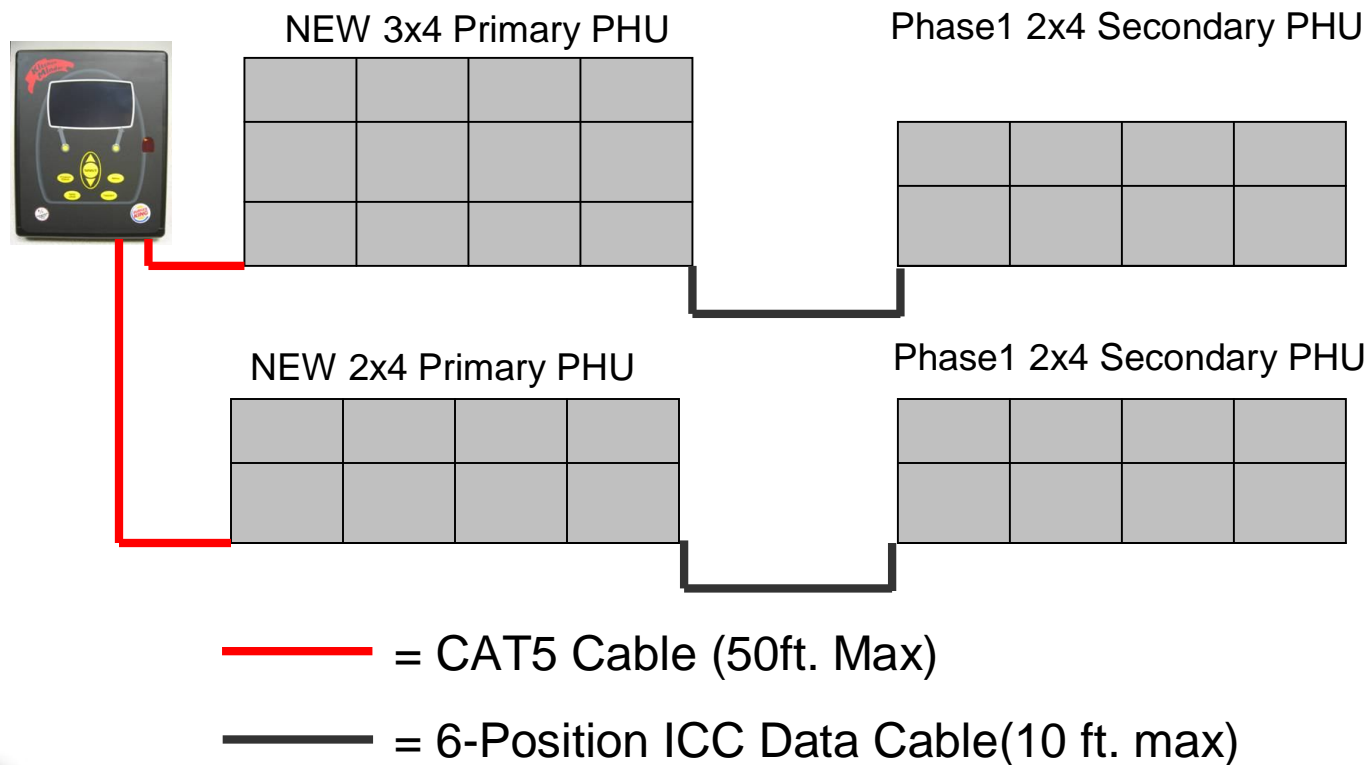
— = CAT5 Cable (50ft. Max)

— = 6-Position ICC Data Cable(10 ft. max)



NEW Merco and Duke PHUs

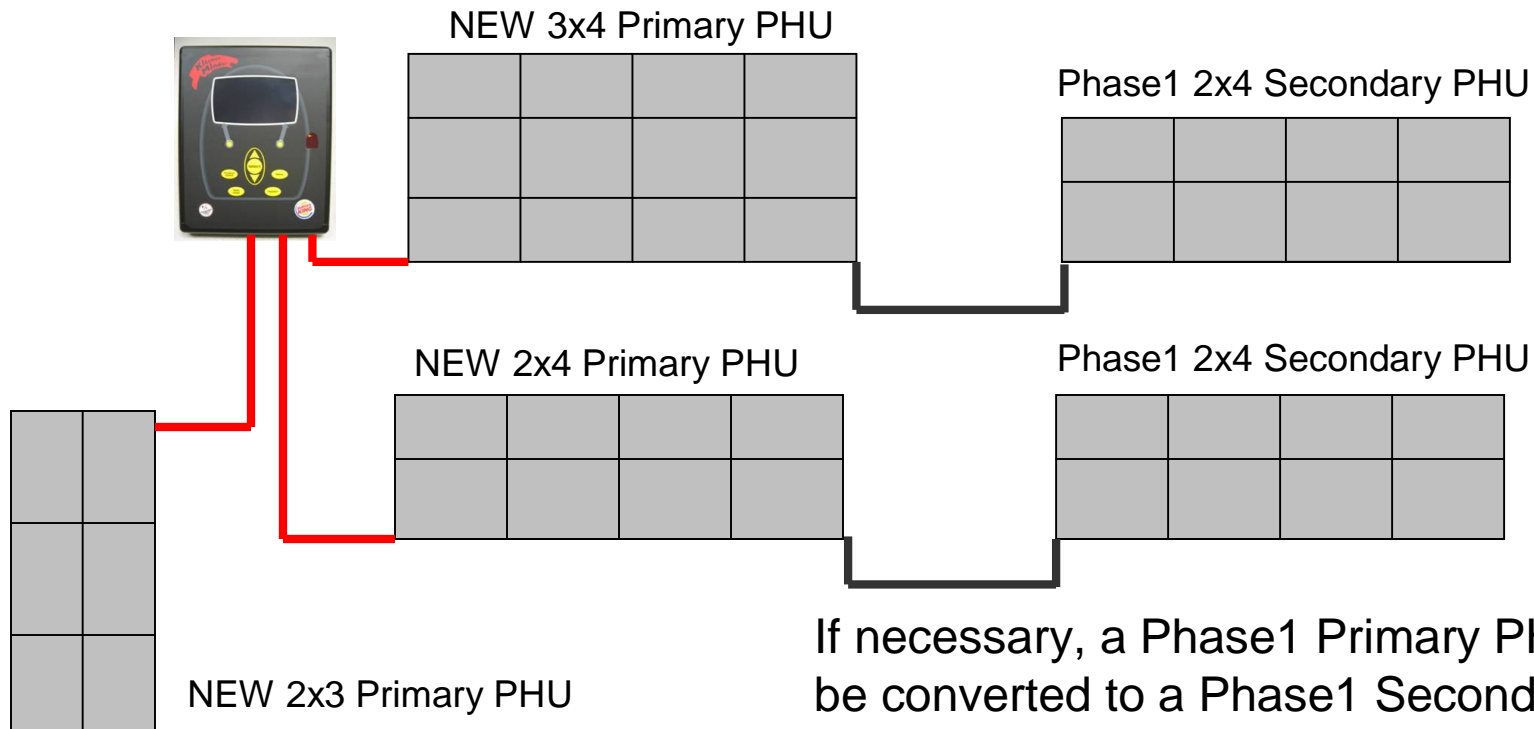
- Connecting Phase1 Duke PHU's to new Merco & Duke IRHS PHU's



NEW Merco and Duke PHUs

- Connecting Phase1 Duke PHU's to new Merco & Duke IRHS PHU's

Only add NEW Primary PHU's in front of Phase1 Secondary PHU's or on their own KM COM Port.



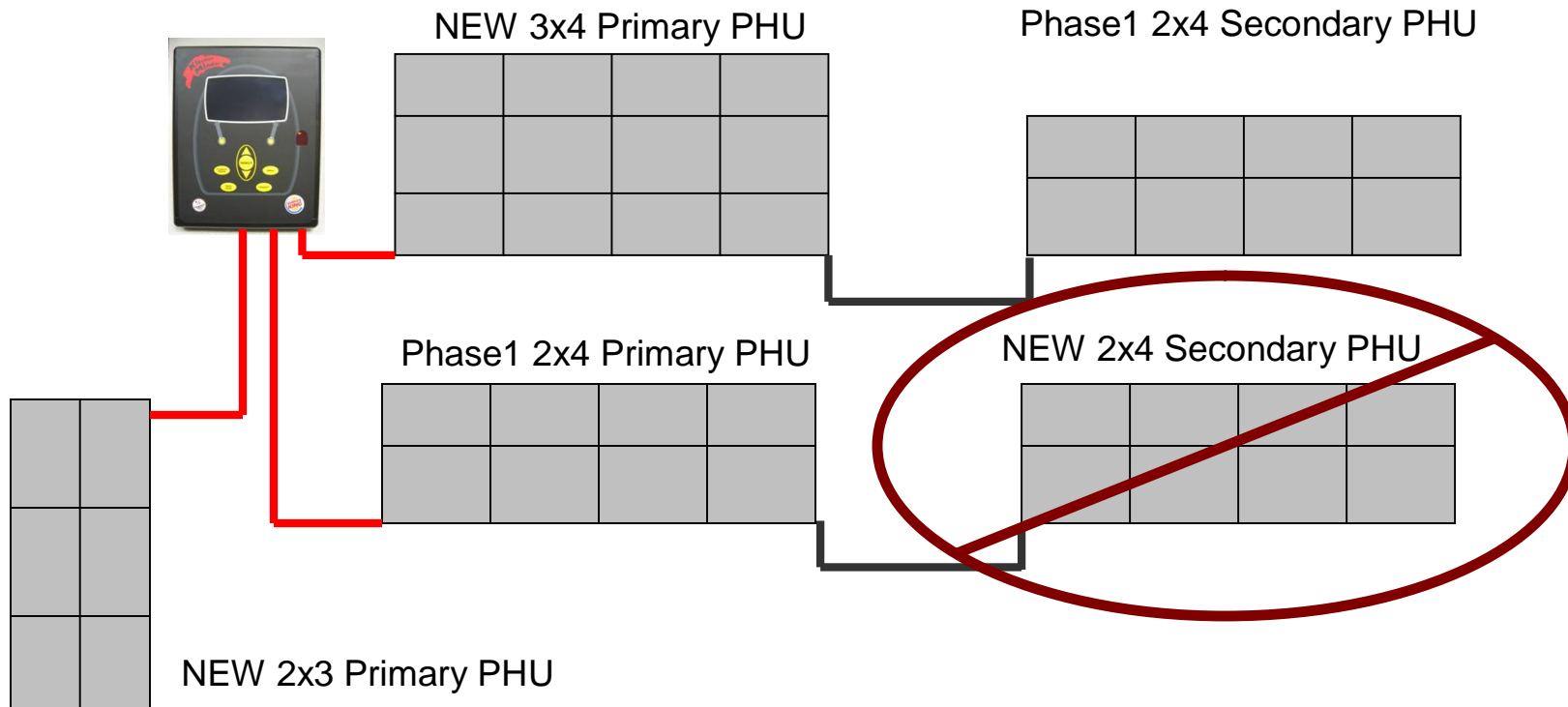
If necessary, a Phase1 Primary PHU can be converted to a Phase1 Secondary PHU



NEW Merco and Duke PHUs

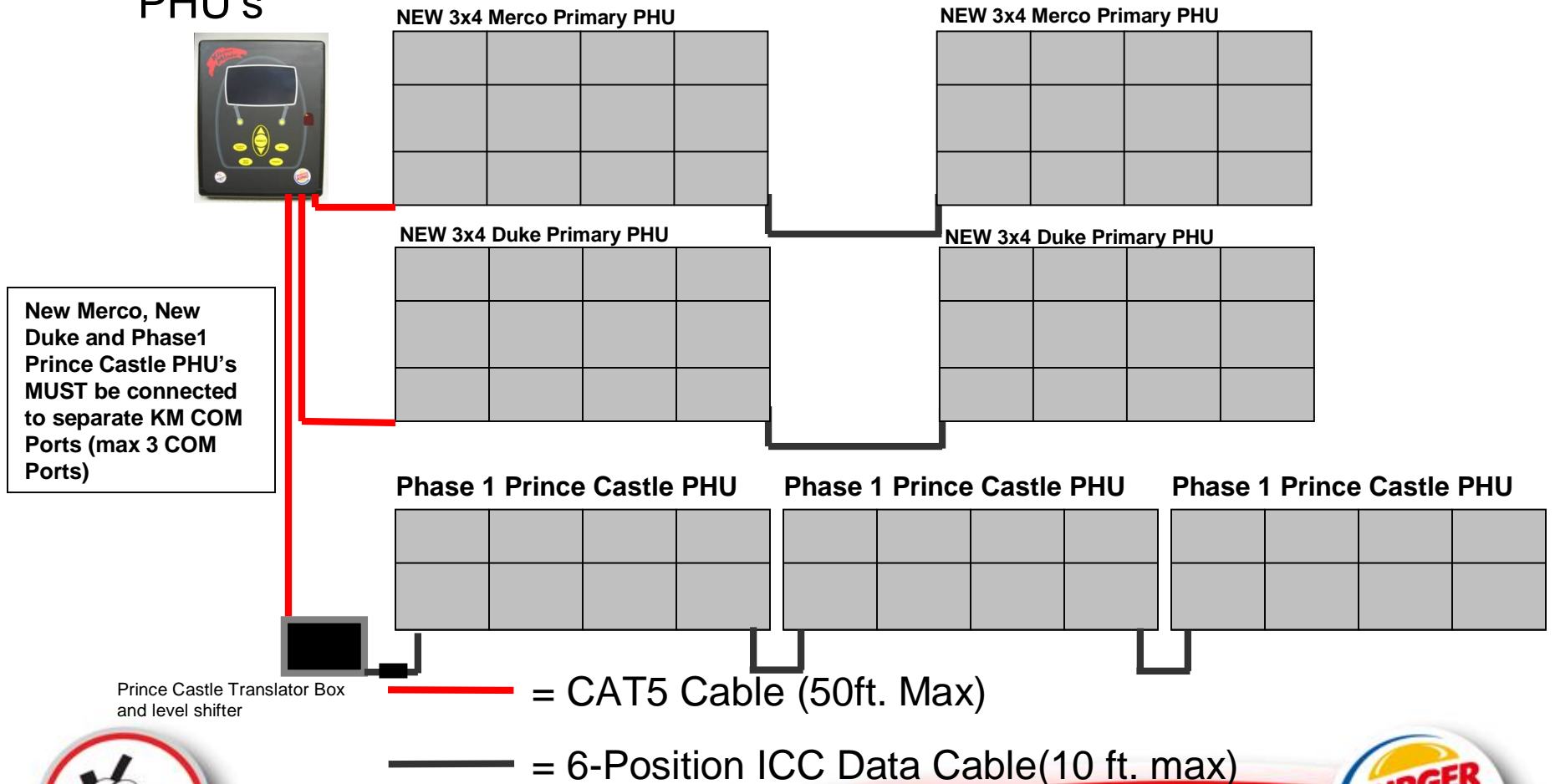
- Connecting Phase1 Duke PHU's to new Merco & Duke IRHS PHU's

Only add NEW Primary PHU's in front of Phase1 Secondary PHU's or on their own KM COM Port.



NEW Merco and Duke PHUs

- Connecting New Merco or Duke PHU's to a KM with Prince Castle PHU's



New Merco, New Duke and Phase1 Prince Castle PHU's MUST be connected to separate KM COM Ports (max 3 COM Ports)

Prince Castle Translator Box and level shifter

